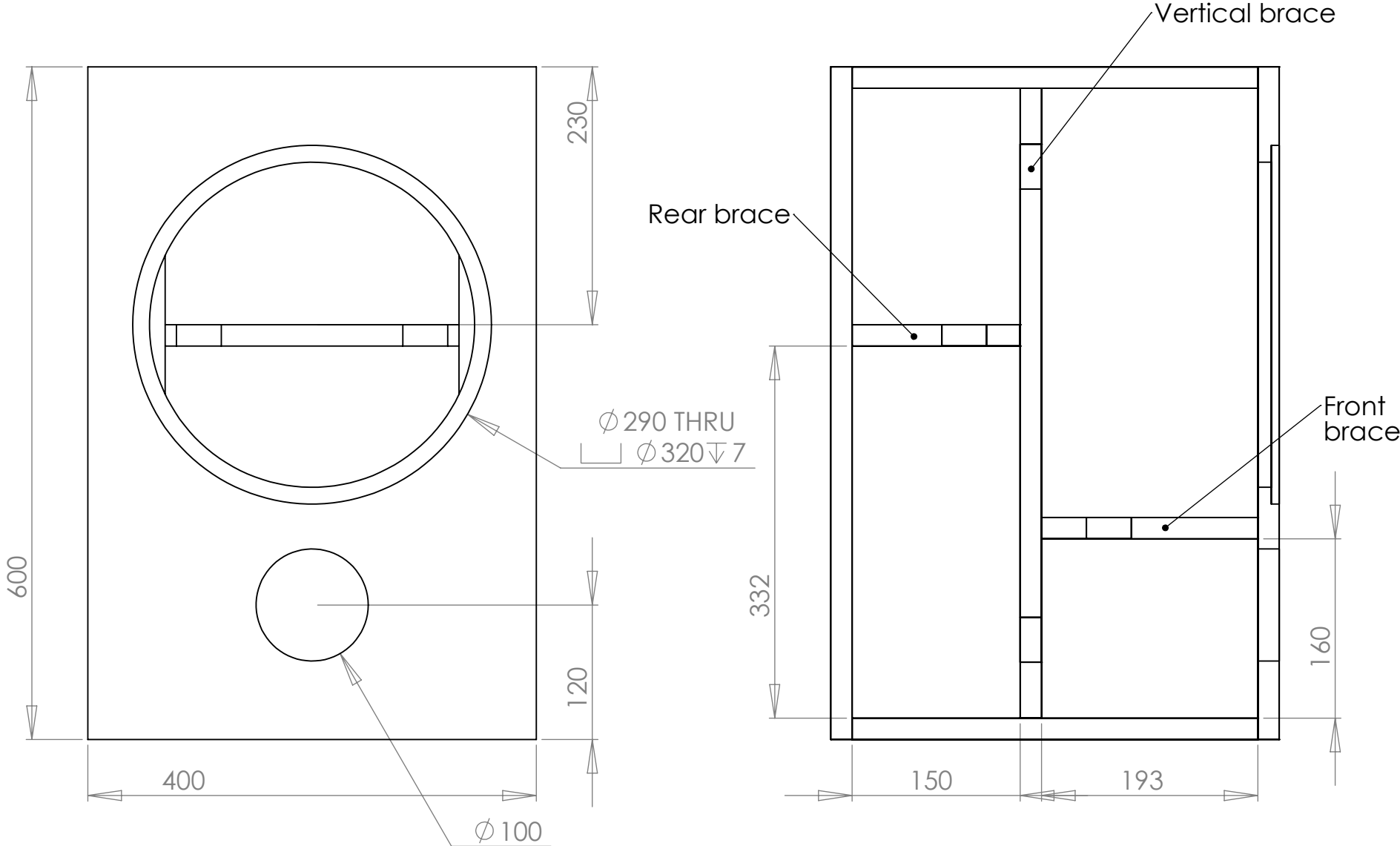
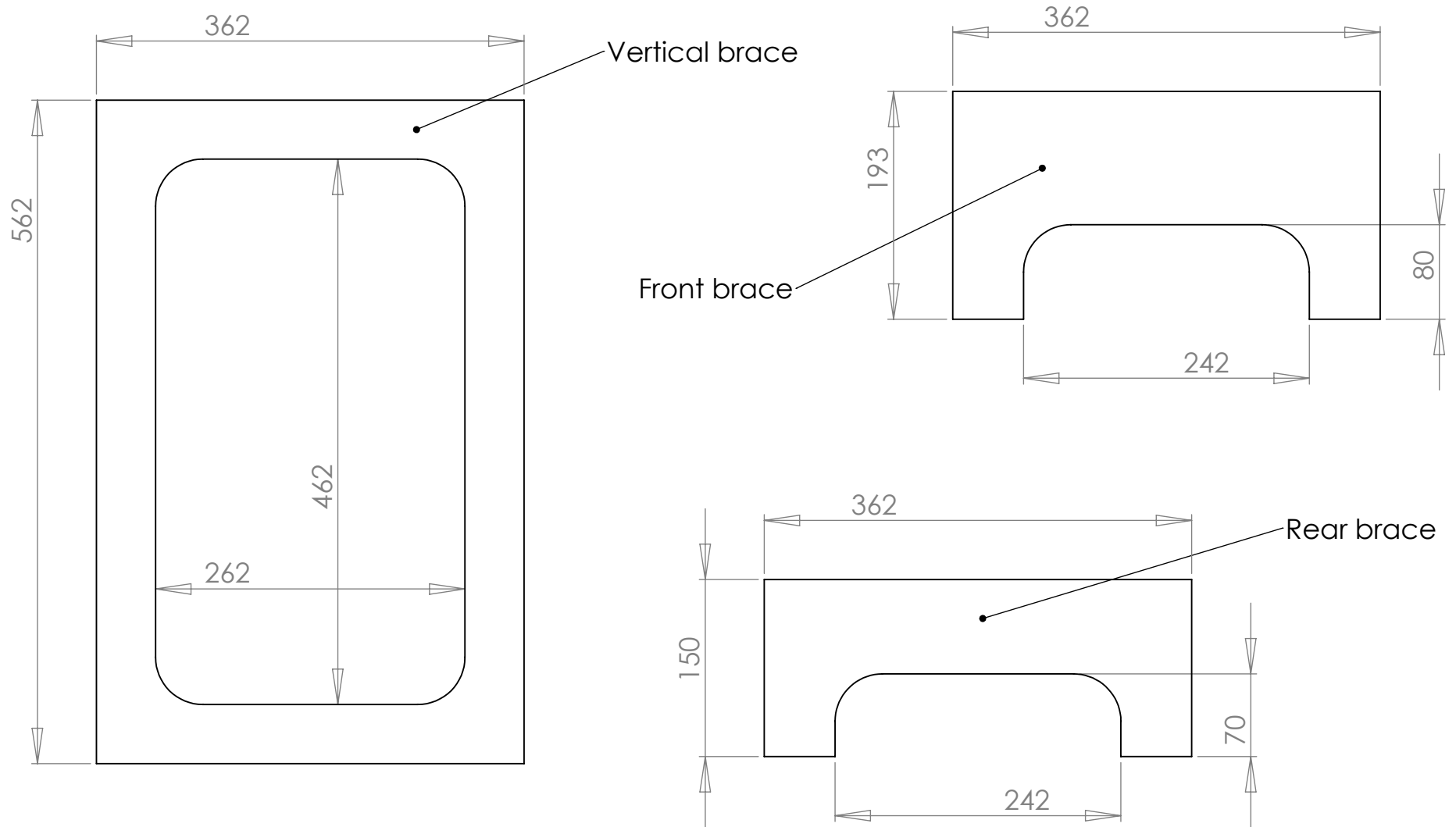


Tempest Woofer enclosure - Baffle layout & assembly



Note: Your choice of port might have a different mounting diameter

Tempest Woofer enclosure - Brace details



Tempest Woofer enclosure - Parts list

Parts for four (4) woofer modules

8x Baffle/Rear (600x400 mm)

8x Top/Bottom (362x362 mm)

8x Side (600x362 mm)

4x Vertical brace (562x362 mm)

4x Front brace (193x362 mm)

4x Rear brace (150x362 mm)

All pieces made from 19 mm thick MDF board.

Line the enclosure walls with about 1" thick dense acoustic foam dampening material. Use a 90 mm inner diameter port of 250 mm length.